

Description

The SRT-25 is a reliable, cost-effective, and proven product that provides excellent performance for many applications. It is versatile slip ring due to its unique design. This slip ring features a Through Bore and can transmit both signal and power effectively. Commonly used on any application requiring a compact solution with a central passage for cables, shaft, etc.

Model Family	Industry	Application
SRT-25	Multiple	Packaging, Automation, Rotary Table

Electrical Features

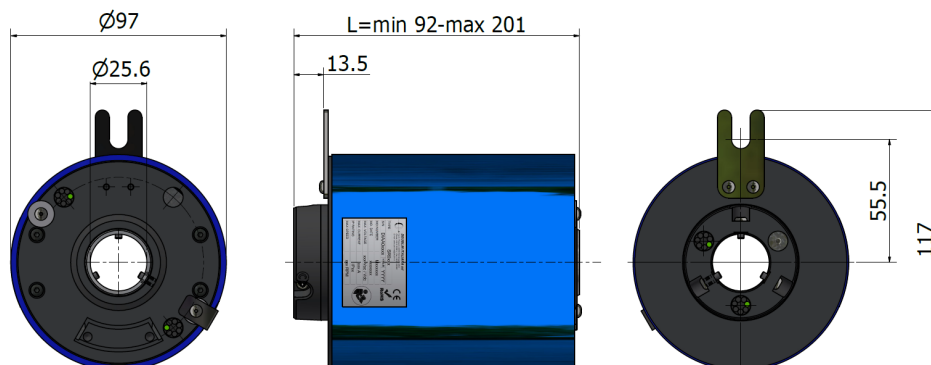
Electrical Channels	Up to 24
Voltage, max	600 VAC/DC for power – 30VDC for signal
Current, max steady state	10 A
Data Communication Speed	Up to 100 Mbps for digital signals
Conductor Ring	Silver Plated Copper Alloy
Brush Contact	Gold Alloy monofilament or polyfilament
Wiring	1.5 mm ² power/ CAT 5E signal
Connection, stator	Flying cable
Connection, rotor	Flying cable

Mechanical Features

Speed, max.	100 rpm
Direction of Rotation	Bi-Directional
IP Rating	Standard IP54
Mounting Orientation	Vertical or Horizontal
Temperature, operating	-20 °C to +80 °C
Temperature, storage	-40 °C to +90 °C
Material, housing	PA66 glass fiber reinforced
Material, rotor	PA66 glass fiber reinforced / Aluminum
Material, cover	Aluminum
Through Bore dia	25 mm

Versions

SRT-25 (standard)	0,5 m long flying cable
Options	Condition monitoring Flying connectors Custom cable lengths and types



This series includes additional models.
For more information contact your nearest Deublin Division/Distributor or www.deublin.com
"Deublin" and the Deublin logo are trademarks of Deublin Company and are registered in the United States and other countries.